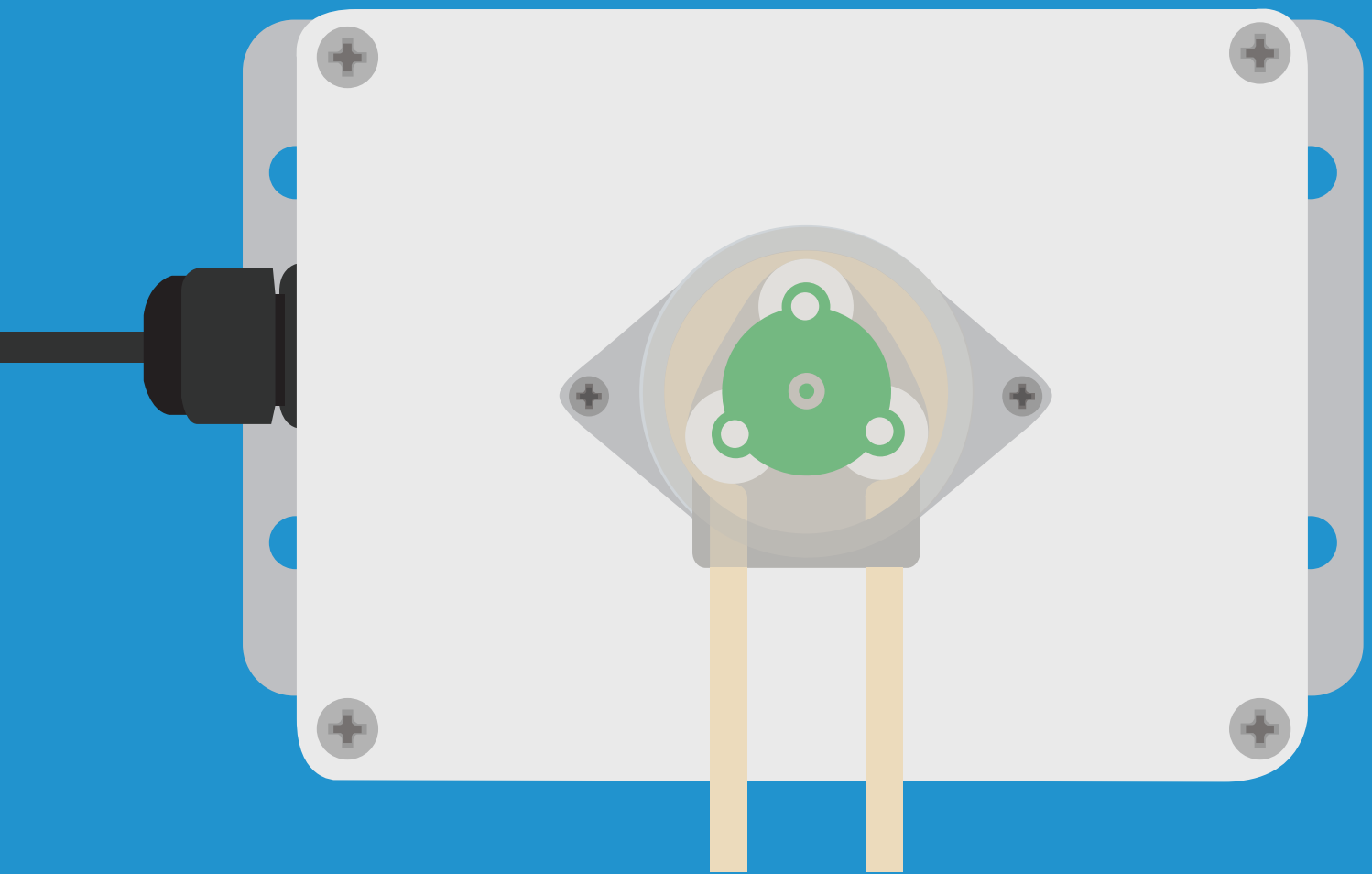
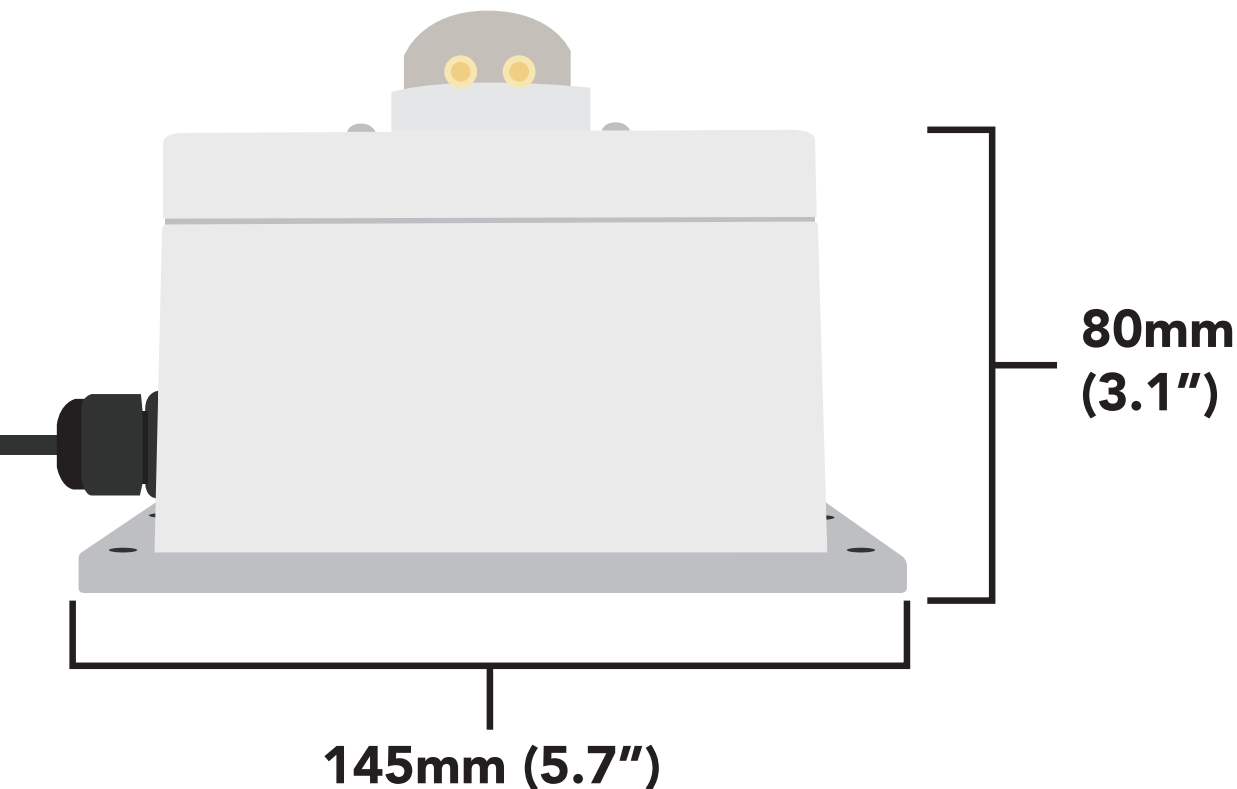
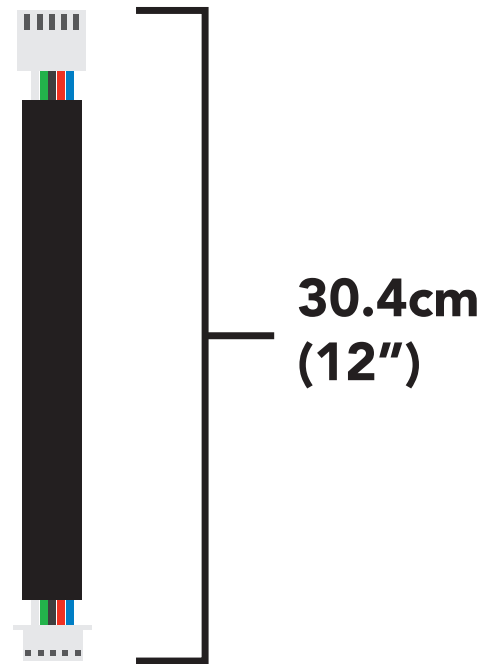
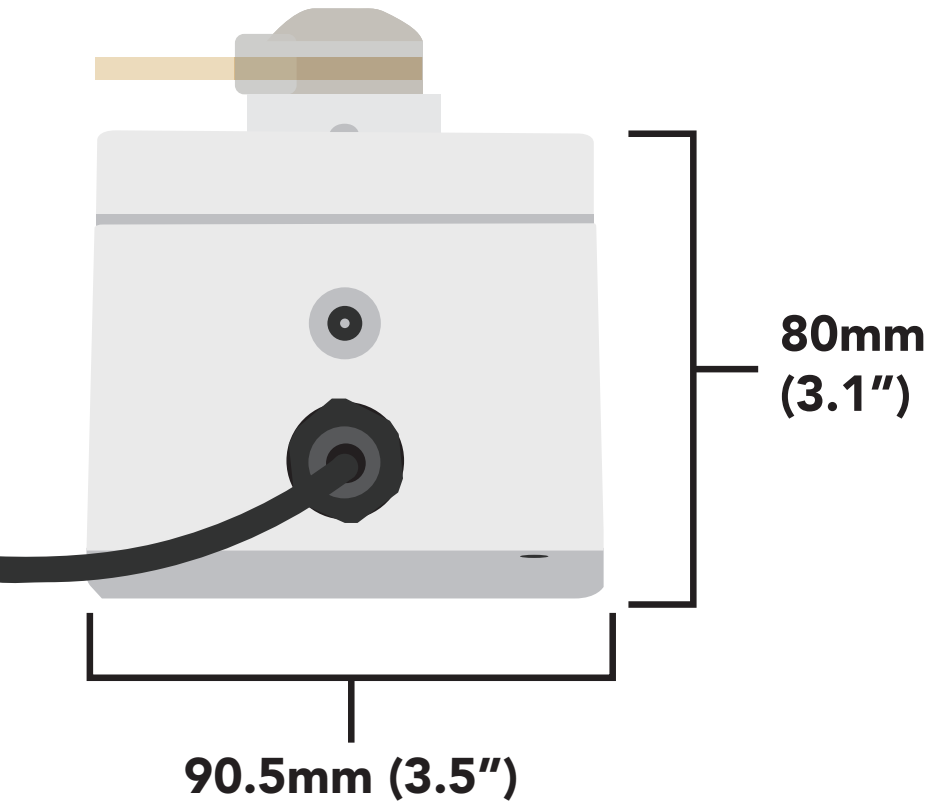


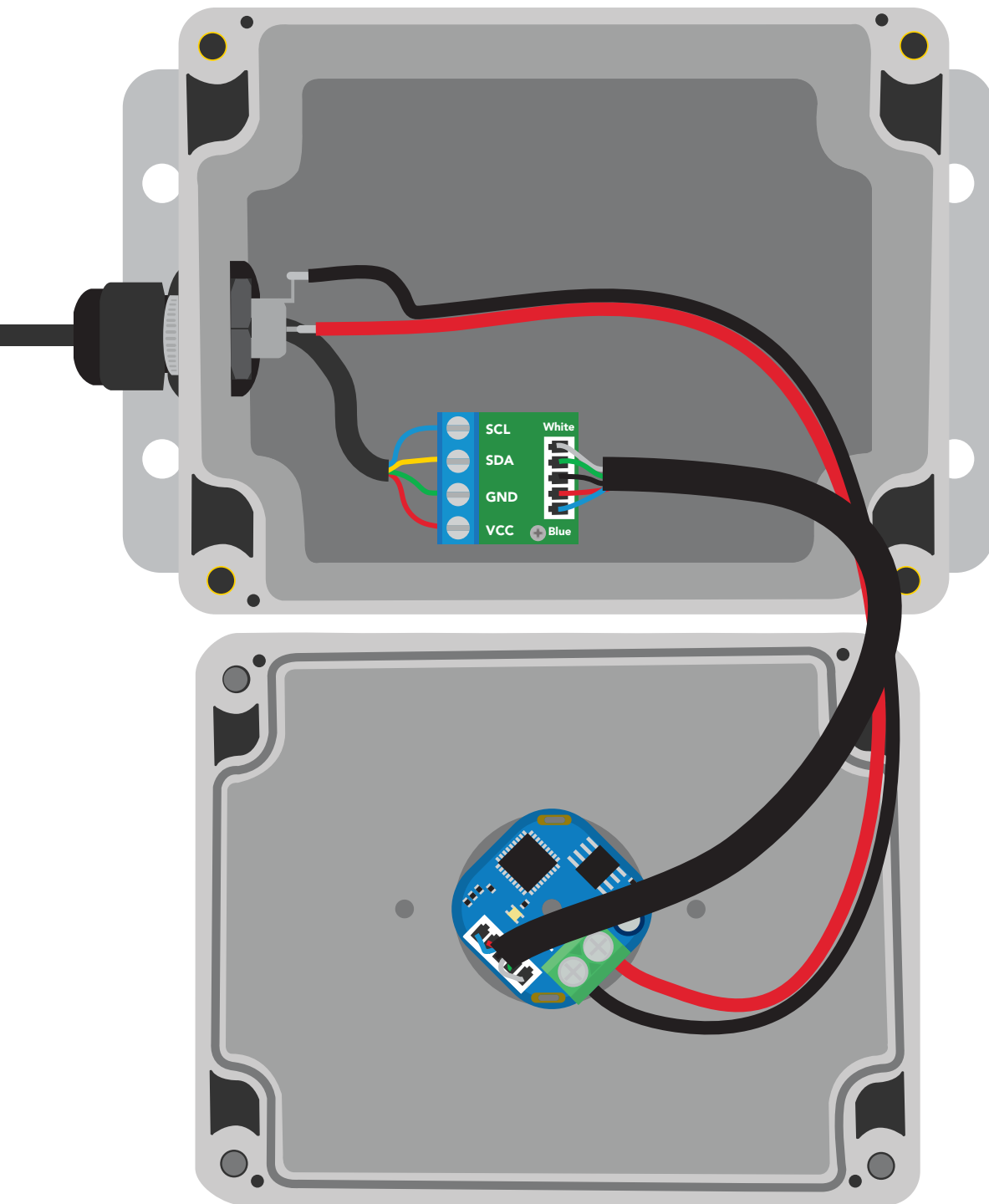
# EZO-PMP<sup>TM</sup>

## Advanced Kit



# Enclosure Measurements





# Attention

The EZO-PMP™ in this kit is set to I2C mode as its default. For more information about how to communicate with the pump refer to the datasheet found [here](#).

*Remember, this pump is set to I2C mode by default. You can change it to UART mode by following the instructions in the linked datasheet.*