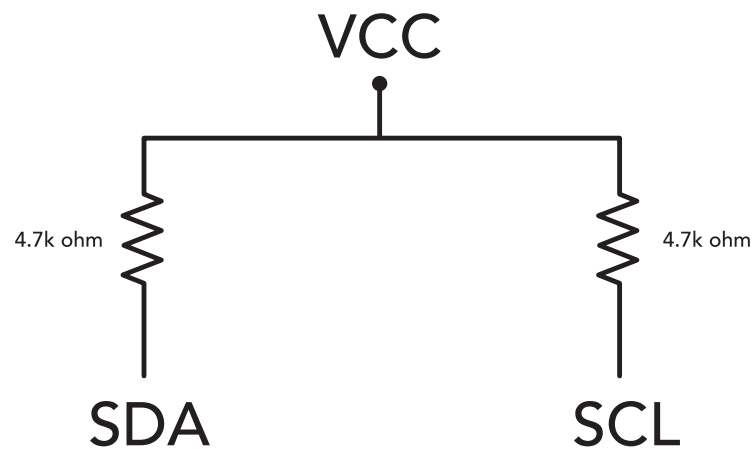
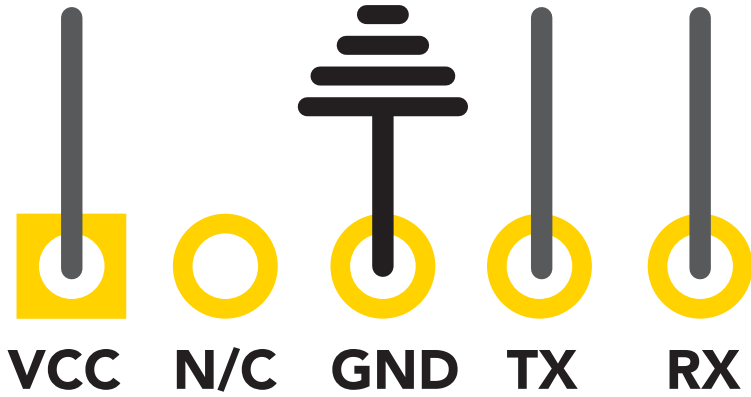




5 – 3.3V

RX TX



The EZO™ Carrier Board **non-isolated** works with all EZO™ circuits

*The EZO™ Carrier Board *non-isolated* does not come with EZO™ class devices.*

