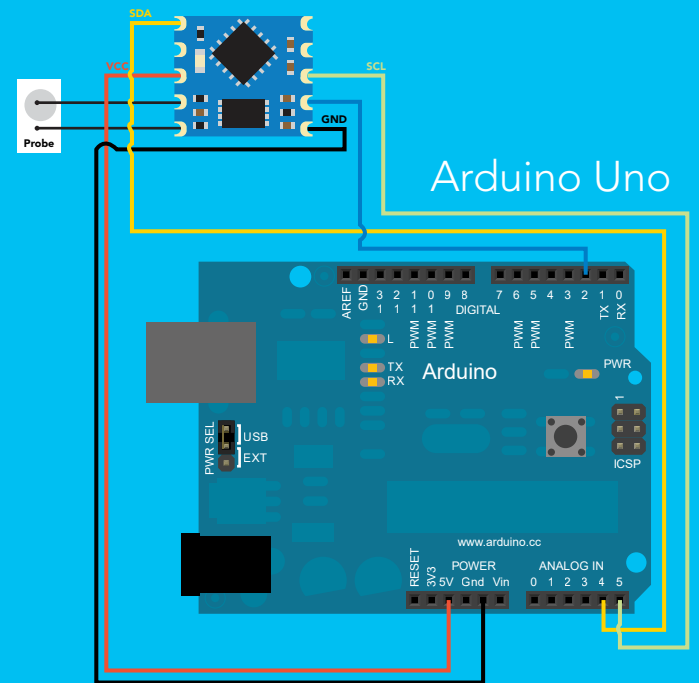
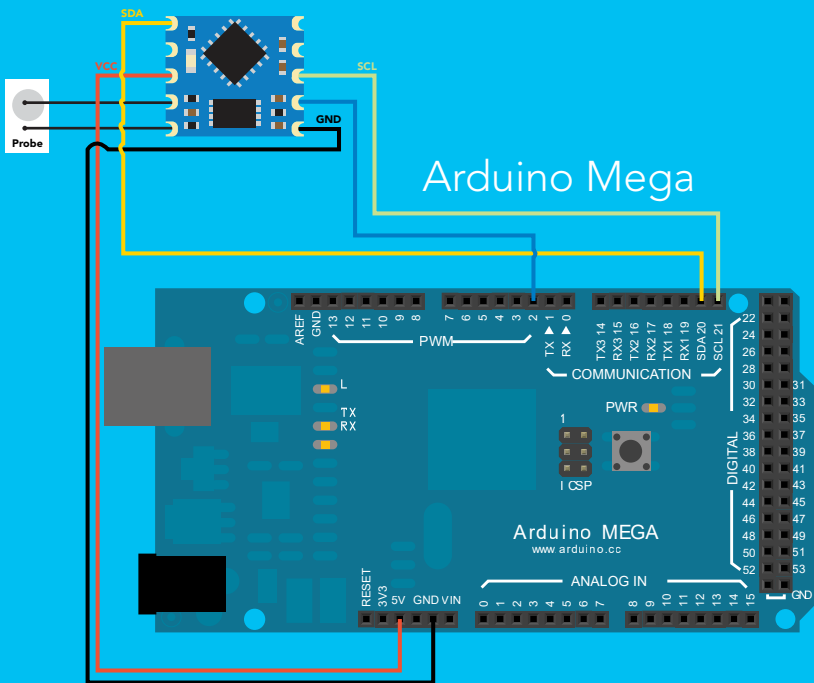


After flashing the Arduino with the code below, open the serial monitor and set it to append *carriage return* only and then set the baud rate to **9600**. Send a "?" to see a list of commands.



[Click here to download the sample code](#)