

Probe Pipe Fitting

V 1.4

The pipe fitting and PVC Tee comes in two different sizes

- 3/4" NPT
- 1/2" NPT

Both sizes are compatible with all laboratory size probes.
Each kit comes with one pipe fitting and one PVC Tee.

Materials of construction (pipe fitting)

- Body: Black Polypropylene
- Nut & Spacers: Black Polypropylene
- Grab Ring: 302 Stainless Steel
- O-ring: Nitrile

Materials of construction (PVC-Tee)

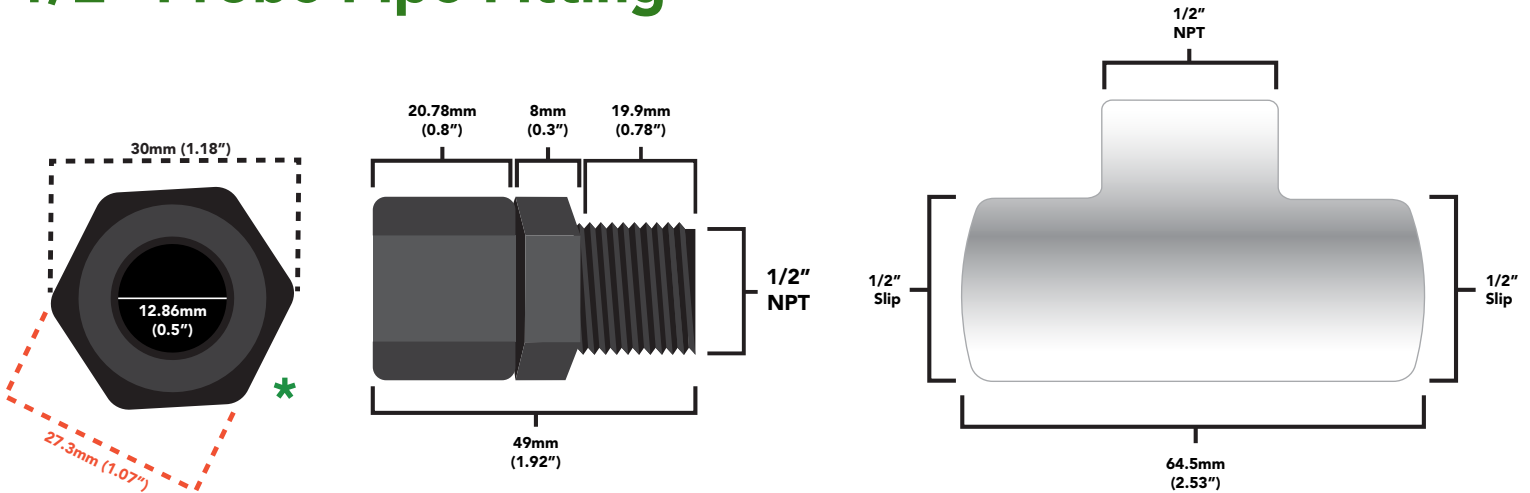
- Schedule 40 PVC
- Food Safe
- Max Pressure: 689.47 kPa (100 psi) 6.89 bar
- Max temperature: 100 °C (212°F) 373.15 °K



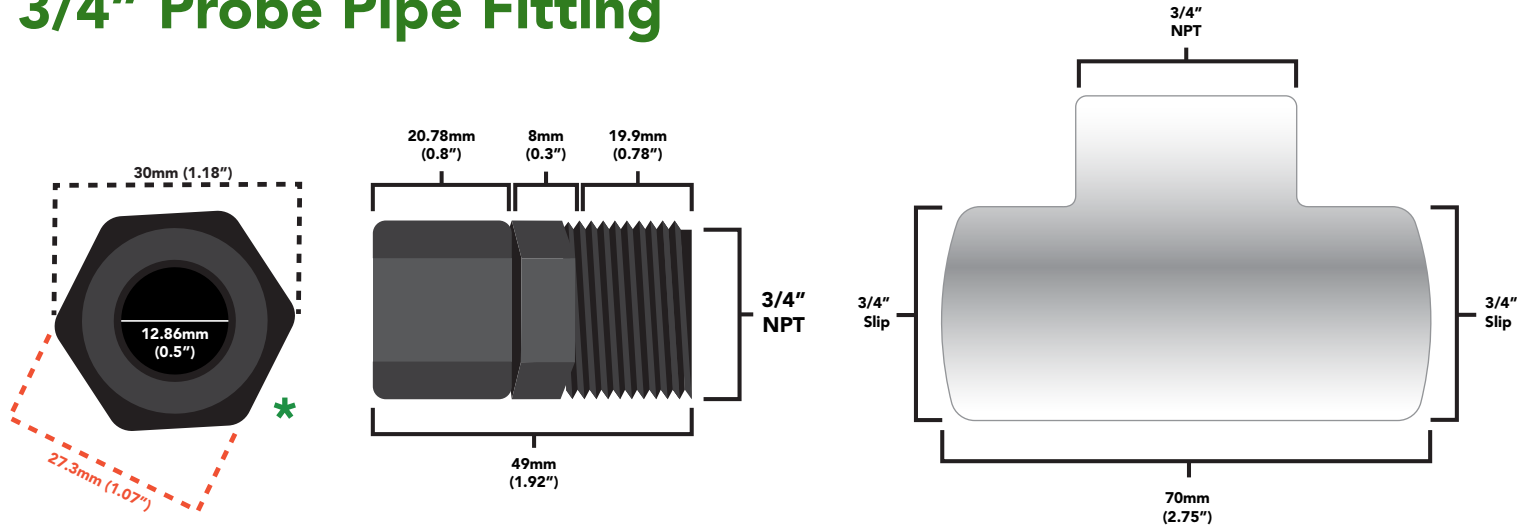
3/4" option

1/2" option

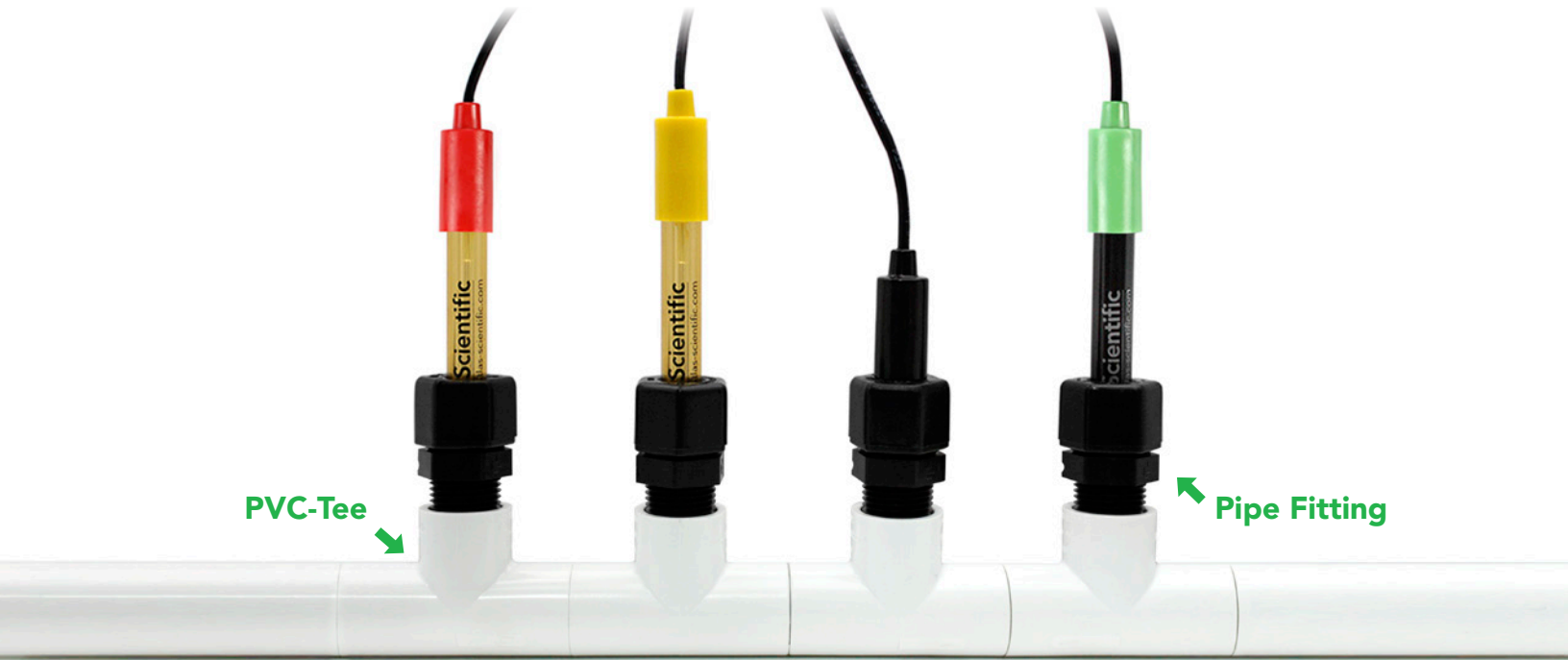
1/2" Probe Pipe Fitting



3/4" Probe Pipe Fitting



***Both the 1/2" and 3/4" pipe fittings accommodate the same probes. The size difference is just to accommodate different PVC pipe sizes.**



Probe installation



Installing a Dissolved Oxygen probe



Unscrew the membrane cap



Insert probe into pipe fitting



Screw membrane cap back on



Screw PVC-Tee onto the bottom of the pipe fitting.

Depending on which size you have (3/4" or 1/2"), the bottom of the probe may or may not protrude into the PVC-Tee.

