

Tall Vertical Metal Float Switch

304 stainless steel

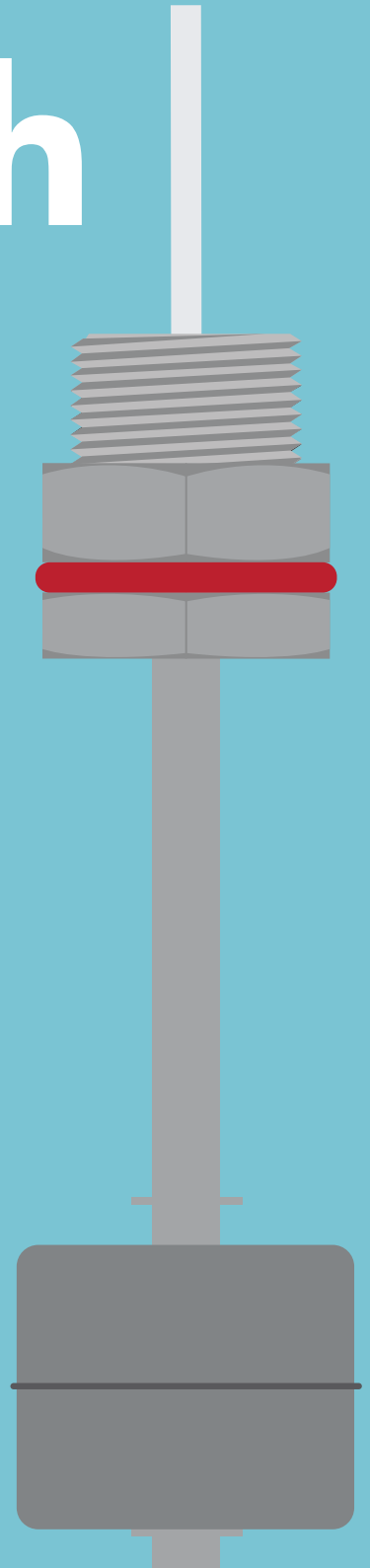
Body **304 stainless steel / black epoxy**

Float **304 stainless steel**

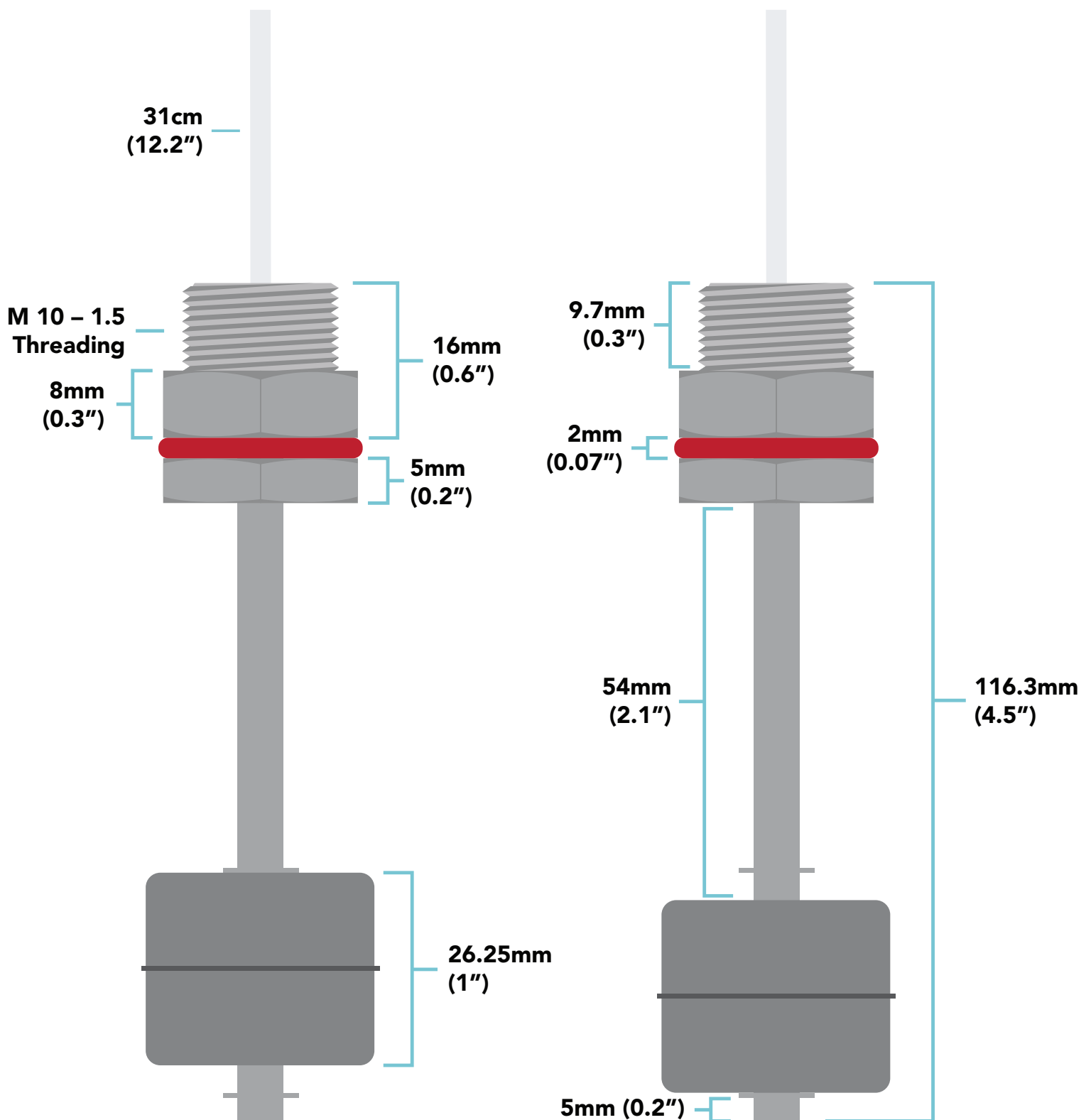
Wire **22 AWG**

Max voltage **50V (AC or DC)**

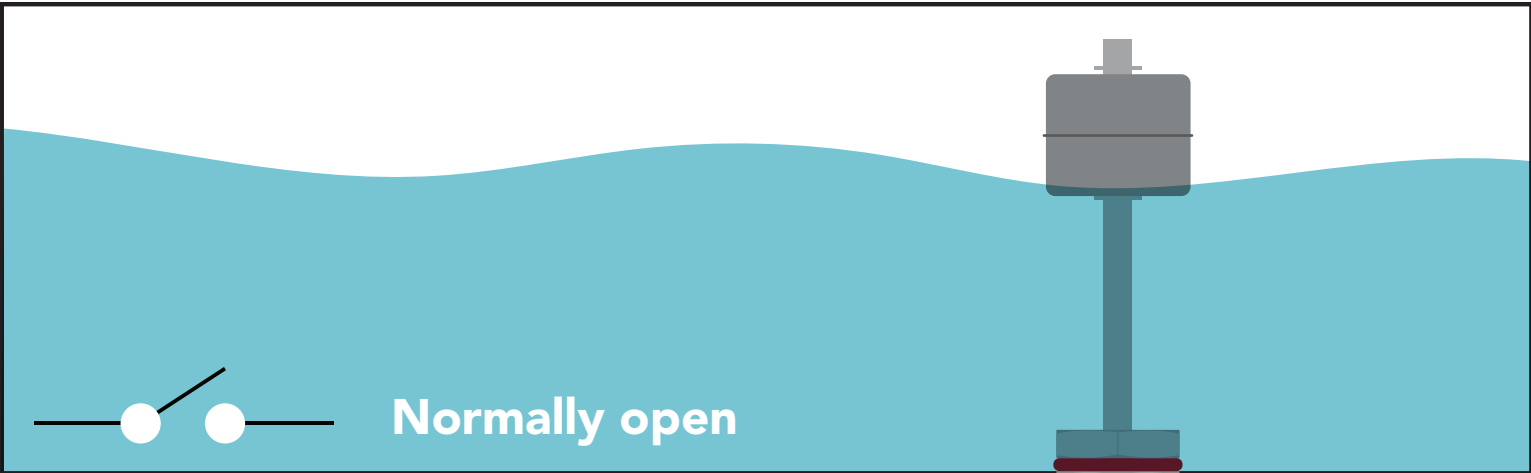
Max current **0.5A**



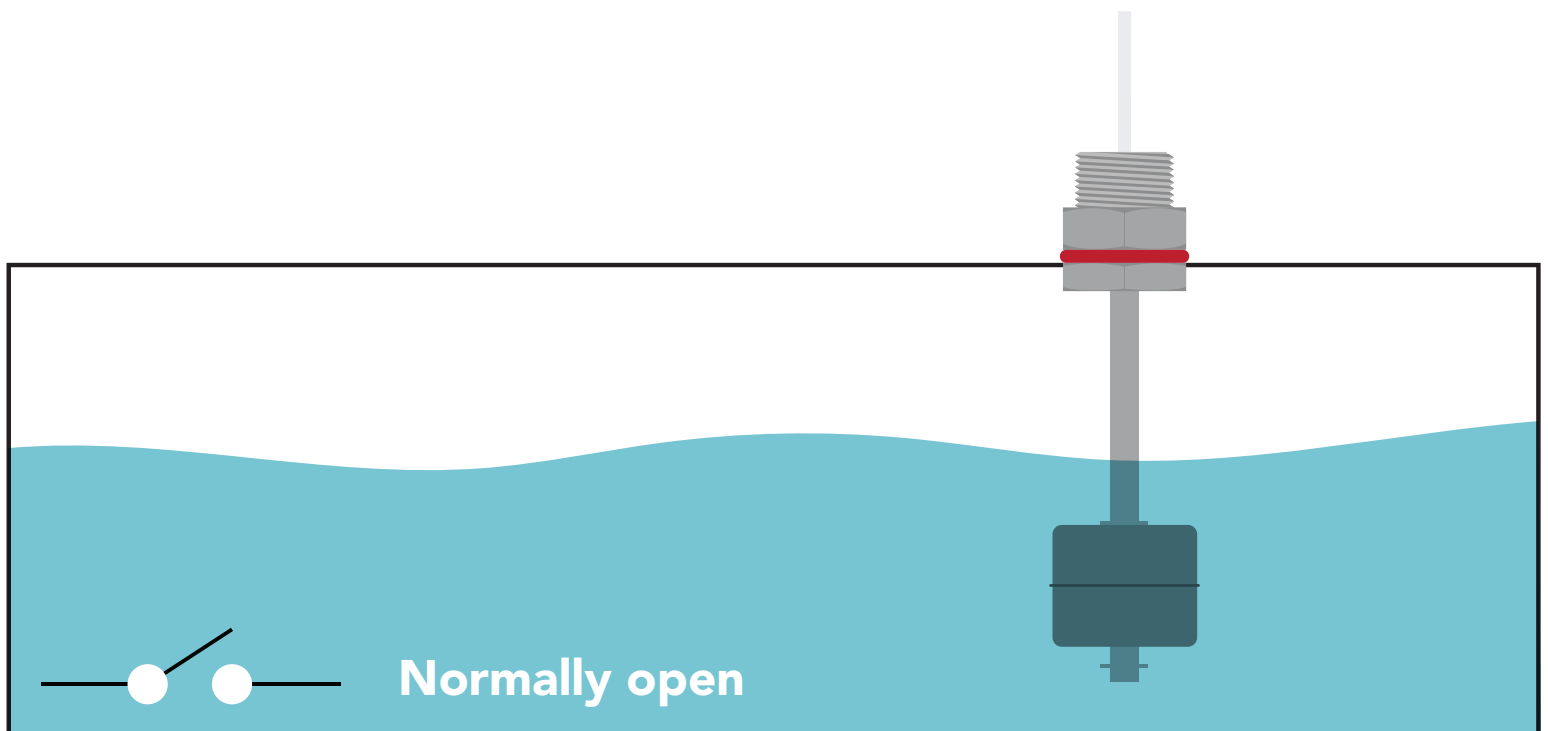
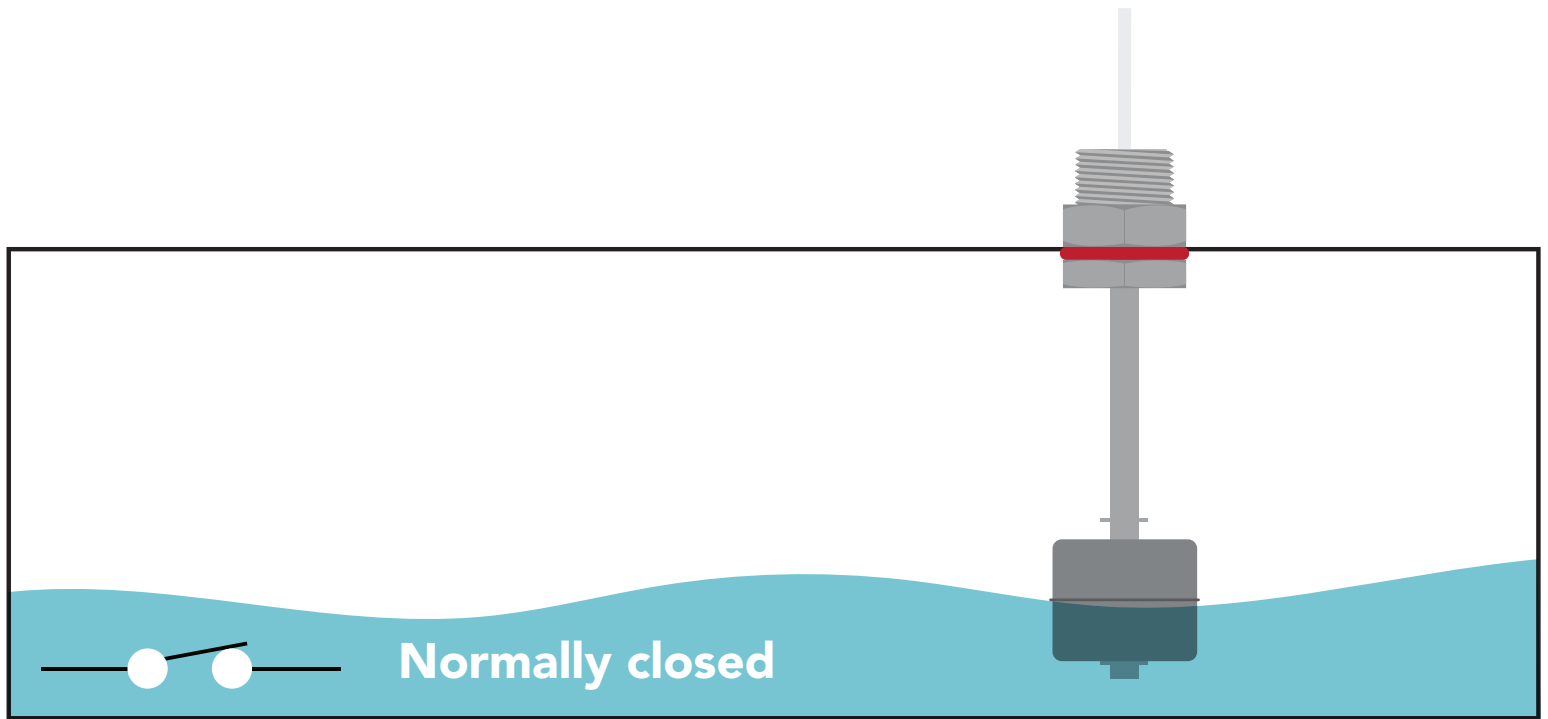
Float Switch dimensions



Tank full sensor

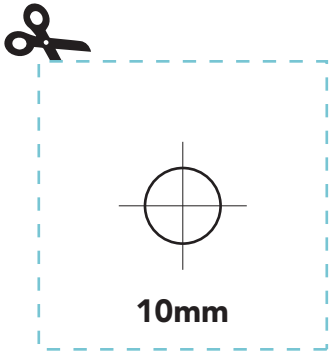


Tank empty sensor

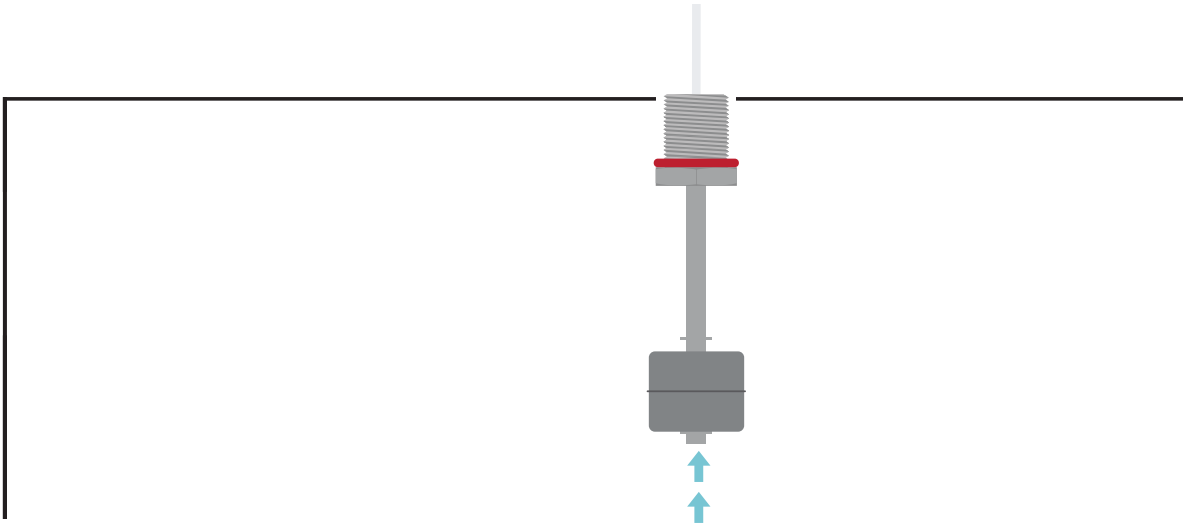


Installation guide

Cut out the hole template shown below, and use a drill to drill out the 10mm hole needed to fit the float switch.



Once the 10mm hole has been made, unscrew and remove the blukhead. Install the float switch from the inside of your tank or contrainer.



Now that the float switch is in place, re-attach and fully tighten the blukhead.

